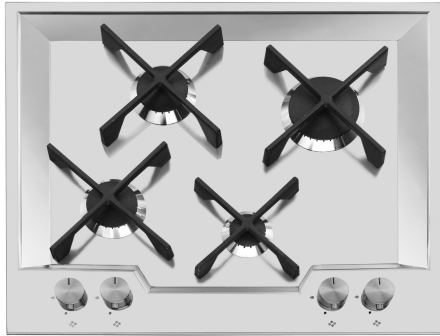


## Cooker hob KS 7615 032

Cooker hobs

Code: 7615 032



### DETAILS

Supply 220-240 V; 50.60 Hz

---

Edge/Installation Type Standard (8 mm Edge)

---

Dimensions 590x500 mm

---

Base size 59cm

---

Heating element Four burners

---

Built-in hole 560x480 mm

---

Grids Cast iron grids and enamelled burner covers

---

Material/Finish Foster-brushed finish AISI 304 stainless steel

---

Total power 7.600 W

---

Auxiliary 1.100 W

---

Semirapid 2x1.750 W

---

Rapid 3.000 W

---

Safety Safety valve with quick-acting thermocouple

---

Ignition Electric ignition under knob

---

Gas type Tested for installation with natural gas, LPG nozzle set included.

---

Type Gas Hob

---

## FEATURES

**Cast iron grids** Cast-iron is the ideal material for an hob grid, this due to the manifold properties characterising it: high heat capacity that improves cooking performance; high weight and stability that improve safety; sturdiness that preserves the hob's original aspect over time; easy cleaning.

---

**III series burners** III ^ series burners: 20% gas savings. They guarantee an efficiency well above the European standards. Furthermore, the improved combustion of gas allows the development of higher powers. From the point of view of safety, the blocking system between the cover and the flame-spreader guarantees perfect positioning and greater ease of cleaning.

---

**Inclined recess** A deep and inclined recess houses the burners and grigs, allowing to create a single work surface. The inclination also makes it extremely easy to clean the edges.

---

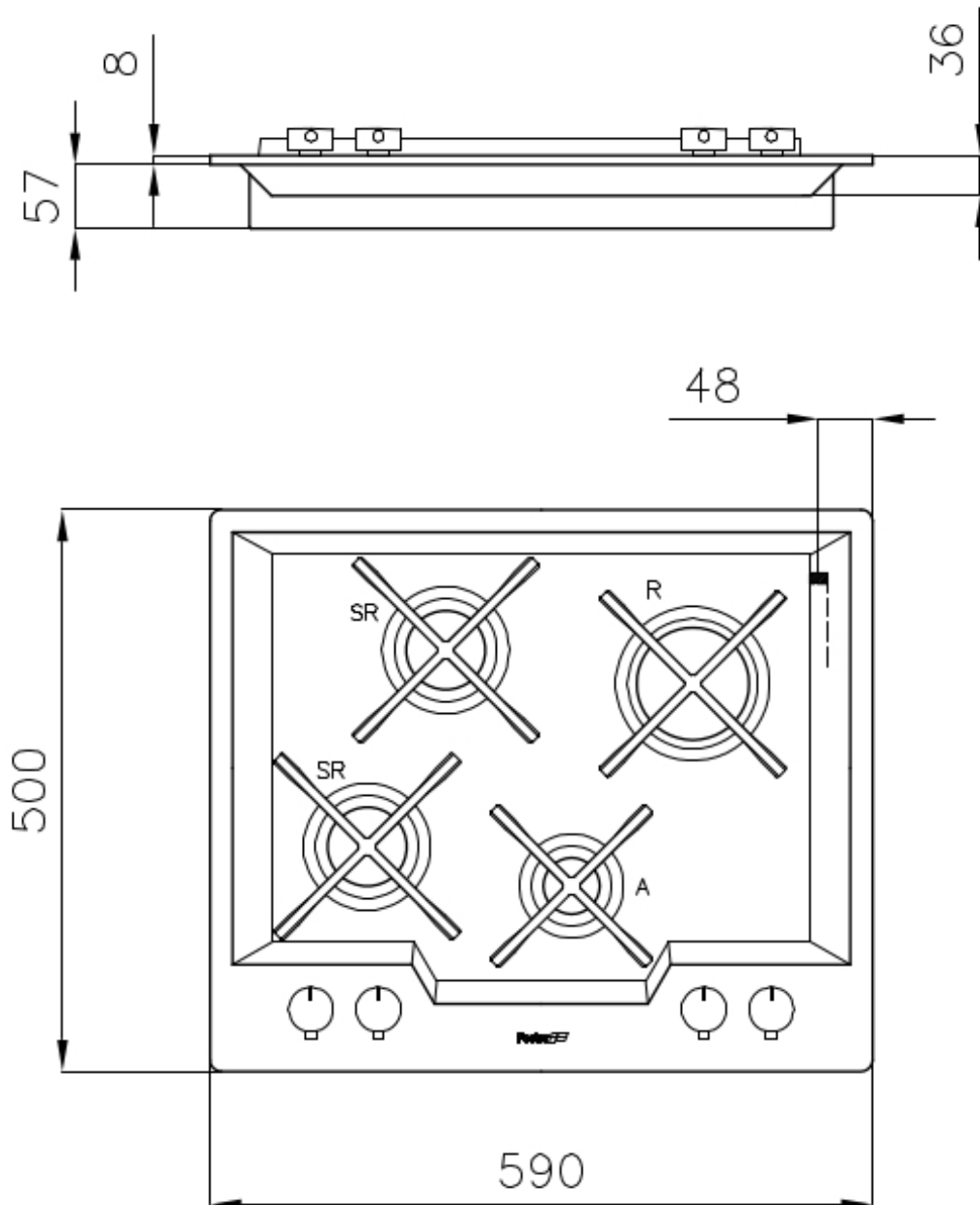
**Safe cooking** All Foster cooker hobs are equipped with safety valves. They shut off the gas supply very quickly if the flame accidentally goes out.

---

**Under-knob ignition** The utmost freedom of movement with electronic under-knob ignition, a common feature of all models that allows a one-hand ignition of the burner.

---

## TECHNICAL DATA



## RECOMMENDED PAIRINGS



Hood KS 2406002\_2409002



Sink KS 2180 06x