

EASTON

EAKM14

Easton Vintage Two Hole Bridge Gooseneck Kitchen Faucet, Black Porcelain Lever Handles



SHOWN IN EASTON VINTAGE TWO HOLE BRIDGE GOOSENECK KITCHEN FAUCET, BLACK PORCELAIN LEVER HANDLES

TECHNICAL DETAILS

ADA Compliance: Yes
Adjustable versus Fixed Spray: Fixed Spray
Deck Thickness Maximum: 1 1/4"
Deck Thickness Minimum: 0"
Fittings Hole Diameter: 1"
Flow Restriction Options: 1.75, 1.5, 1.0
Handle Spread Maximum: 7 7/8"
Handle Spread Minimum: 7 7/8"
Handle Turn Angle: Quarter Turn
Depth / Width: 13 1/4"
Height: 16"
Inlet Connection Size: 1/2"
Inlet Connection Type: Straight Male Threads
Inlet Supply Spread Maximum: 10 7/8"
Inlet Supply Spread Minimum: 4 7/8"
Length: 13 1/2"
Number of Holes: Two Hole
Primary Material: Brass
Restricted Maximum Flow Rate: 2.2 gpm
Spray Included in Unit: N
Suggested Application: Bar, Kitchen, Laundry
Valve Material: Ceramic
Water Pressure Maximum: 85.0 psi
Water Pressure Minimum: 20.0 psi
Water Pressure Recommended: 45.0 psi

INSPIRATION

Drawing on Edwardian style, Easton is the most extensive Waterworks family; a range of moods and a selection of products from fittings to furniture.

CODES & STANDARDS

Code # EAKM14: CEC

PRODUCT FEATURES

Brass metal is used for all trim and valve components

The manufacturing process encompasses casting, turning, forging, hand-fitting and hand polishing.

Easton is our most comprehensive fittings family.

Easton has a clean-lined utilitarian profile, with a slightly elongated spout.

Standard flow rate is 2.2gpm (8.3 L/min) and State of California requires a maximum of 1.8gpm(6.8 L/min). Also available in other flow options. Contact a sales associate for details.

CERTIFICATIONS



PRODUCT (NOTES)

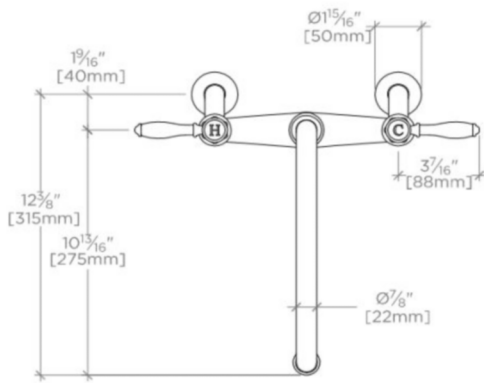
Spray sold separately

WATERWORKS

EASTON

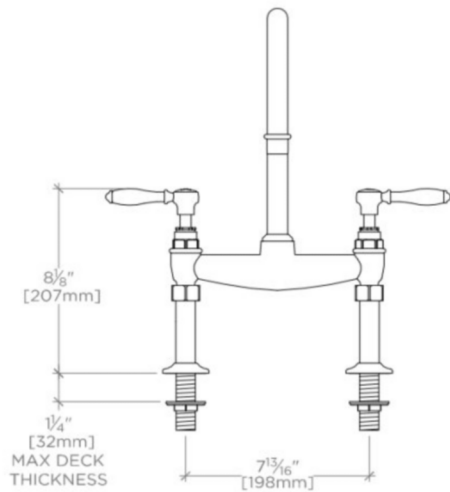
EAKM14

Easton Vintage Two Hole Bridge Gooseneck Kitchen Faucet, Black
Porcelain Lever Handles



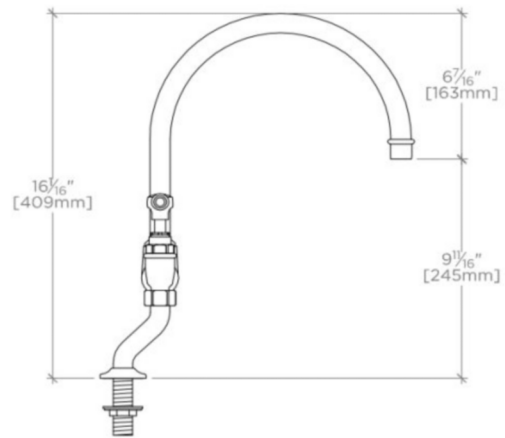
TOP VIEW

SCALE: 1 1/2"=1'-0"



FRONT VIEW

SCALE: 1 1/2"=1'-0"



SIDE VIEW

SCALE: 1 1/2"=1'-0"